

also observed temperature differences within the sample up to 10 K.

The essential modifications we made are the following (see Fig. 1).

(i) In order to suppress the temperature ripple the body of the sample compartment (1) is enlarged; it is made out of copper.

(ii) A wide flange (2) makes thermal contact with the bottom of the Dewar (3) over a large area.

(iii) In order to attain temperatures down to 82 K, a nut (4) around the heating element (5) can be used. In the upper position it short-circuits the heat resistance (6).

(iv) The standard sample frames (7) are forced to make thermal contact with the body of the sample compartment by means of screws (not shown). This also keeps the sample secured at the correct position.

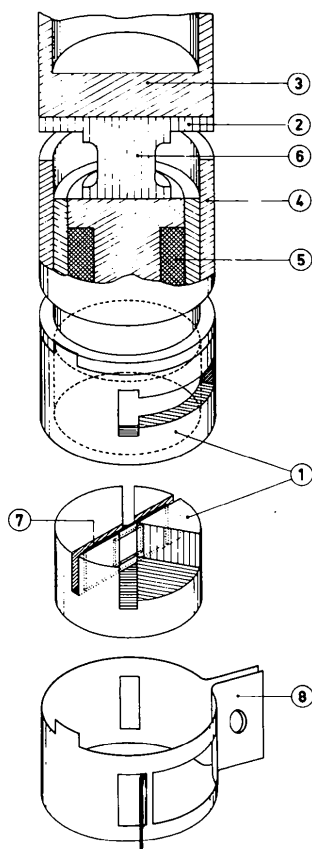


Fig. 1. Schematic view of the cold finger. (1) Sample compartment; (2) copper flange; (3) Dewar bottom; (4) short-circuit nut; (5) heating element; (6) heat resistance; (7) sample frame; (8) clamp for heat shield.

(v) A heat shield of aluminum foil (10 μm) keeps the sample from 'seeing' any part of the 'hot' camera wall. It is wrapped around the sample compartment and kept in place with clamp (8).

(vi) The cold junction of the thermocouple is inserted deeply in the copper body, close to the sample.

The thermocouple has been calibrated *in situ* using the melting points of acetone and methyl cyclohexane and the boiling points of nitrogen and oxygen. The temperature differences within the sample were investigated with very thin thermocouples.

It is a pleasure to thank G. M. Fraase Storm for discussions on the constructional details.

G. H. KOLKMAN
F. TUINSTR

Delft University of Technology
Afdeling der Technische Natuurkunde
Lorentzweg 1
2628 CJ Delft
The Netherlands

(Received 18 January 1980;
accepted 11 August 1980)

Reference

Jonge, T. de, Popma, T. J. A., Wiegers, G. A. & Jellinek, F. (1970). *J. Solid State Chem.* **2**, 188–192.

International Union of Crystallography

J. Appl. Cryst. (1980), **13** 634–635

Prices of Acta Crystallographica and Journal of Applied Crystallography

The Executive Committee of the International Union of Crystallography has found it necessary to increase the yearly subscription rates and also the prices of back numbers for *Acta Crystallographica* and *Journal of Applied Crystallography* as from 1 January 1981. Every endeavour has been made to keep these increases to a minimum.

Acta Crystallographica

The following rates will apply for Volumes A37 and B37 (1981). All subscription rates are fixed in Danish kroner, and the US dollar equivalents given below are subject to exchange-rate fluctuations and amendment without notice.

Complete volumes, regular price per volume

Sections A & B (combined subscription)	Dkr 2720	(\$513)
Section A only	Dkr 680	(\$129)
Section B only	Dkr 2290	(\$432)

Complete volumes, reduced price for individuals

Sections A & B (combined subscription)	Dkr 1120	(\$211)
Section A only	Dkr 280	(\$53)
Section B only	Dkr 950	(\$180)

All subscribers in the USA and Canada should add to the above subscription rates the additional charges for air-freighting as mentioned below.

The reduced-rate subscriptions are ordinarily only available to members of recognized scientific societies, and applications must be accompanied by a written undertaking that the journal is for the personal use of the subscriber and will not be made available to libraries, institutions, etc. These conditions also apply to persons wishing to order back numbers at the reduced rates.

Single parts

The prices of single parts are as follows:

Vol. A37	Dkr 170	(\$32)
Vol. B37	Dkr 290	(\$55)

Journal of Applied Crystallography

The following rates will apply for Volume 14 (1981). All subscription rates are fixed in Danish kroner, and the US dollar equivalents given below are subject to exchange-rate fluctuations and amendment without notice.

Complete volumes, regular price per volume

	Dkr 640	(\$121)
--	---------	---------

Complete volumes, reduced price for individuals

	Dkr 300	(\$57)
--	---------	--------

All subscribers in the USA and Canada should add to the above subscription rates the additional charge for air-freighting as mentioned below.

The same conditions apply to reduced-rate subscriptions as in the case of *Acta Crystallographica* (see above).

Single parts

The price for single parts of Volume 14 (1981) is

	Dkr 160	(\$30)
--	---------	--------

Airfreighting of copies to the USA and Canada

Deliveries of *Acta Crystallographica* and *Journal of Applied Crystallography* to the USA and Canada in 1981 will continue to be by air freight to New York and thence by second class mail. The use of this service is obligatory for all subscribers in those countries. The charges in Danish kroner are as given below

<i>Acta Crystallographica</i>			
Sections A & B			
(combined			
subscription) Add Dkr	80		(\$15)
Section A only Add Dkr	25		(\$5)
Section B only Add Dkr	60		(\$11)
<i>Journal of Applied Crystallography</i>			
Add Dkr	25		(\$5)

Since the charges are fixed in Danish kroner, the US dollar equivalents are subject to exchange-rate fluctuations.

Price of back numbers

The prices of back numbers have been increased so that they are the same as the subscription rates for the volumes to be published in 1981. The prices of Volumes 1–23 of *Acta Crystallographica*, which were published before the journal was divided into two sections have been increased to the same price as the A volumes. The prices are fixed in Danish kroner and the US dollar equivalents given below are subject to exchange-rate fluctuations.

<i>Acta Crystallographica</i>			
<i>Complete volumes, regular price per volume</i>			
Vols. 1–23	Dkr 680		(\$129)
Combined			
Vols. 24–36	Dkr 2720		(\$513)
Vols. A24–A36	Dkr 680		(\$129)
Vols. B24–B36	Dkr 2290		(\$432)

<i>Complete volumes, reduced price for individuals</i>			
Vols. 1–23	Dkr 280		(\$53)
Combined			
Vols. 24–36	Dkr 1120		(\$211)
Vols. A24–A36	Dkr 280		(\$53)
Vols. B24–B36	Dkr 950		(\$180)

Single parts

The prices of single parts are follows:			
Vols. A24–A36	Dkr 170		(\$32)
Vols. B24–B36	Dkr 290		(\$55)

Single parts of Volumes 1–23 are not available.

Cumulative indexes, regular price

Vols. 11–23			
(1958–1967)	Dkr 120		(\$22)
Vols. 24–28			
(1968–1972)	Dkr 120		(\$22)

Cumulative indexes, reduced price for individuals

Vols. 11–23			
(1958–1967)	Dkr 60		(\$11)
Vols. 24–28			
(1968–1972)	Dkr 60		(\$11)

A few copies of the cumulative index for Volumes 1–10 (1948–1957) are also available, free of charge.

Journal of Applied Crystallography**Complete volumes, regular price per volume**

Vols. 1–13	Dkr 640		(\$121)
------------	---------	--	---------

Complete volumes, reduced price for individuals

Vols. 1–13	Dkr 300		(\$57)
------------	---------	--	--------

Single parts

The price of single parts is as follows			
Vols. 1–13	Dkr 160		(\$30)

Orders

Orders for *Acta Crystallographica* and *Journal of Applied Crystallography* may be addressed to Munksgaard International Publishers Ltd, 35 Nørre Søgade, DK-1370 Copenhagen K, Denmark. Orders from subscribers in North America may alternatively be placed through Polycrystal Book Service, PO Box 11567, Pittsburgh, Pa. 15238, USA.

J. Appl. Cryst. (1980). **13**, 635

Computing in Crystallography
(Editors: R. Diamond, S. Ramaseshan and K. Venkatesan)

This book has recently been published by the Indian Academy of Sciences for the International Union of Crystallography. It contains 29 chapters incorporating the lectures presented at the International Winter School on Crystallographic Computing, which was held at the Indian Institute of Science, Bangalore, India, 4–14 January 1980 and was organised by the Union's Commission on Crystallographic Computing. The titles of the chapters are:

Diffraction control with minicomputers; Absorption corrections for single-crystal X-ray and neutron data; The strategy of extinction corrections; Microdensitometry; Vector-space Patterson search and other stored-function sampling procedures; Automatic interpretation of the Patterson function; Symbolic addition; Multisolution methods; Other multiresolution methods; Structure invariants and semivariants; The method of least squares in crystallography; Error analysis; Incorporation of stereochemical information into crystallographic refinement; Thermal motion analysis; A systems approach to computing for charge density studies; Derivation of molecular properties by charge density integration; Heavy atom positions in macromolecules; The refinement of crystal structures by Fast-Fourier least squares; Phase evaluation and some aspects of the Fourier refinement of macromolecules; A matrix approach to the phase problem; Some problems in macromolecular map interpretation; XTAL: New concepts in program system design; Minicomputers in structure analysis; Microprocessors and microcomputers; Molecular conformation; Computer-generated illustrations; Interactive graphics; Programming methodology of artificial intelligence; A technique for overlaying common storage.

In addition to the lectures the book includes the work sessions material of most of the lectures. This book (of about 525 pages) will be most useful to all who are engaged in crystal structure determination. Copies may be obtained from The Editor, Indian Academy of Sciences, Bangalore, 560 080, India. The price of the book is US\$17 or 125 Rupees, but individuals may purchase a copy for their personal use at the reduced price of US\$8 or 50 Rupees. These prices include postage by surface mail. Copies may be sent by airmail but at extra cost.

J. Appl. Cryst. (1980). **13**, 635

Report of the Executive Committee for 1979

The Report of the Executive Committee for 1979 has been published in *Acta Crystallographica*, Section A [*Acta Cryst.* (1980). **A36**, 1072–1088]. It reports on the meetings and publications of the Union, the work of its Commissions, and the work of bodies not belonging to the Union on which the Union is represented.